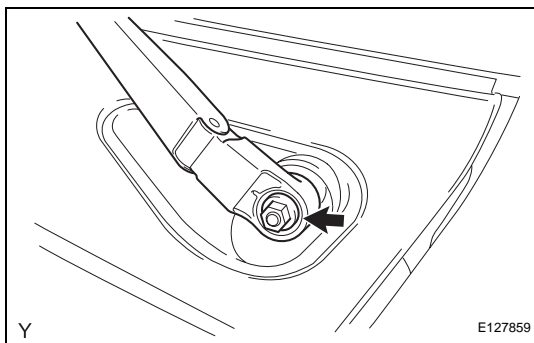
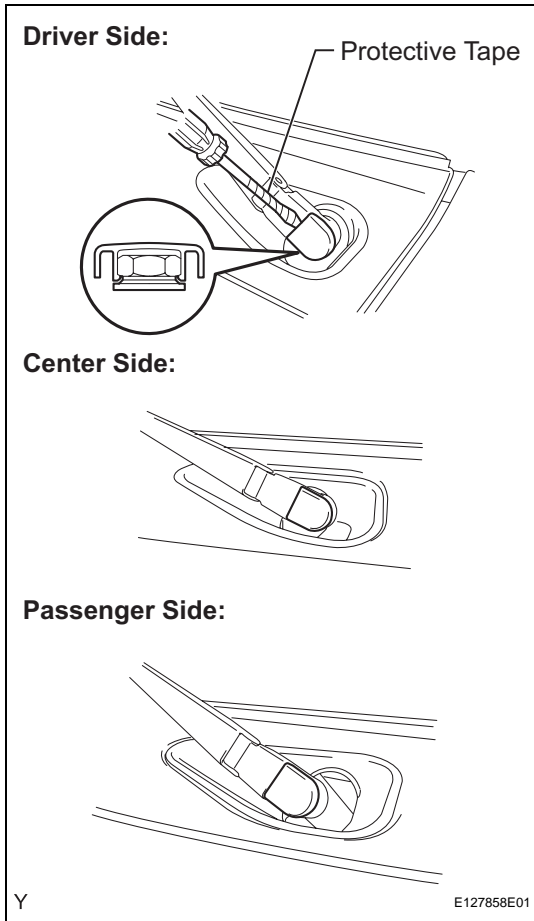


REMOVAL

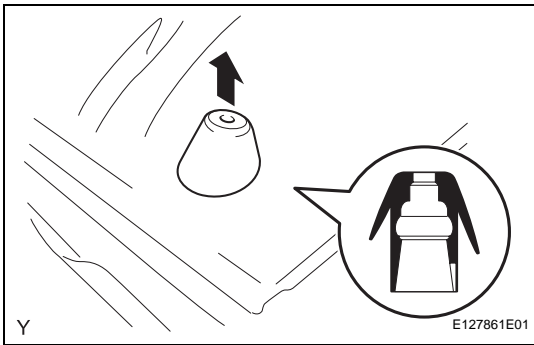
1. **DISCONNECT CABLE FROM NEGATIVE BATTERY TERMINAL**
2. **REMOVE WINDSHIELD WIPER ARM COVER**
 - (a) Using a screwdriver with its tip wrapped in protective tape, disengage the claw and remove the 3 front wiper arm cover.



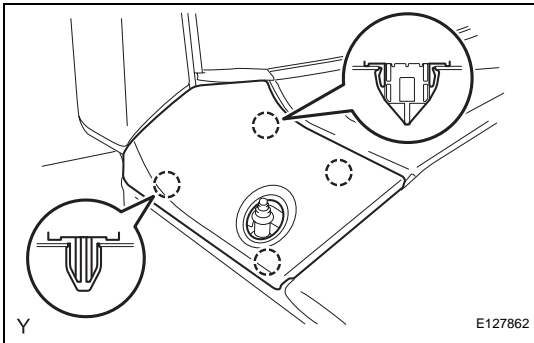
3. **REMOVE FRONT WIPER ARM AND BLADE ASSEMBLY LH**
 - (a) Operate the wiper, then stop the windshield wiper motor in the automatic stop position.
 - (b) Remove the nut and front wiper arm.
4. **REMOVE FRONT WIPER ARM AND BLADE ASSEMBLY RH (CENTER SIDE)**

HINT:
Use the same procedure as for the LH side.
5. **REMOVE FRONT WIPER ARM AND BLADE ASSEMBLY RH**

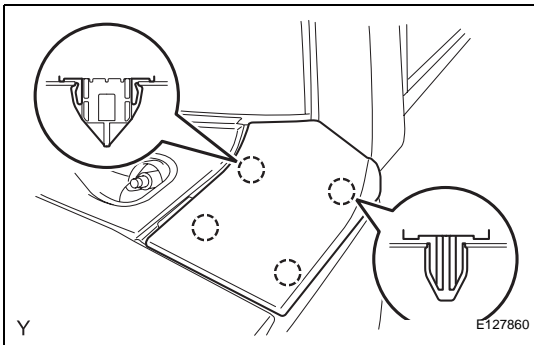
HINT:
Use the same procedure as for the LH side.
6. **REMOVE ROOF ANTENNA POLE SUB-ASSEMBLY**
(See page [AV-116](#))

**7. REMOVE ANTENNA ORNAMENT**

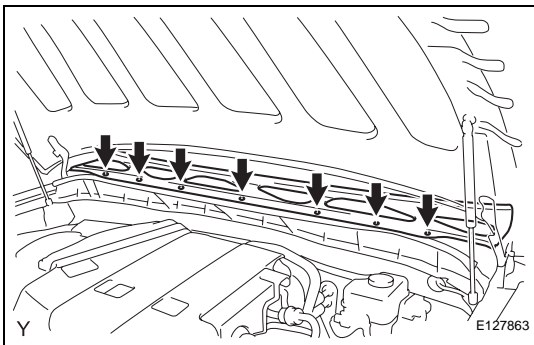
- (a) Pull out the antenna ornament vertically.

**8. REMOVE FRONT FENDER SIDE PANEL UPPER RH**

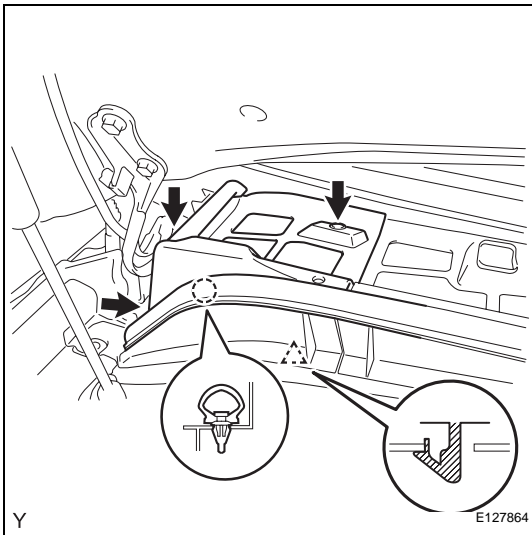
- (a) Disengage the 4 claws and remove the front fender side panel upper RH.

**9. REMOVE FRONT FENDER SIDE PANEL UPPER LH**

- (a) Disengage the 4 claws and remove the front fender side panel upper LH.

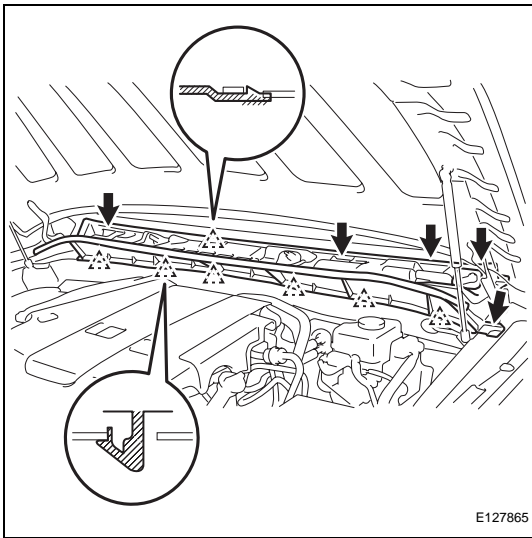
**10. REMOVE COWL TOP VENTILATOR LOUVER SUB-ASSEMBLY**

- (a) Disengage the 7 clips and remove the cowl top ventilator louver sub-assembly.



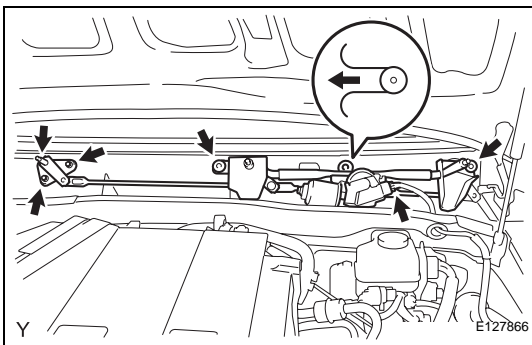
11. REMOVE COWL TOP VENTILATOR LOUVER RH

- (a) Disengage the clip and remove the hood to cowl top seal.
- (b) Remove the 3 clips and the claw, and remove the cowl top ventilator louver RH.



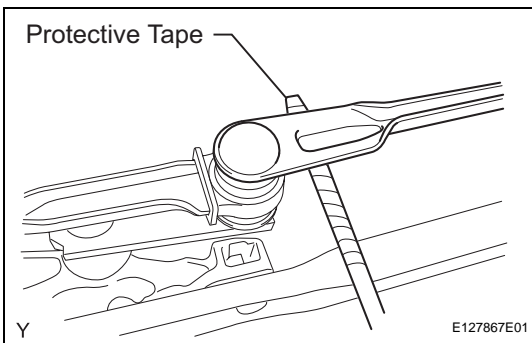
12. REMOVE COWL TOP VENTILATOR LOUVER LH

- (a) Remove the 5 clips.
- (b) Disengage the 7 claws and remove the cowl top ventilator louver LH.



13. REMOVE FRONT WIPER MOTOR AND LINK

- (a) Remove the 5 bolts.
- (b) Slide the wiper link. Disengage the meshing of the rubber pin, then disconnect the connector and remove the front wiper motor and link.



14. REMOVE FRONT WIPER MOTOR

- (a) Using a screwdriver with its tip wrapped in protective tape, disengage the meshing of the rod at the crank arm pivot of the front wiper motor.